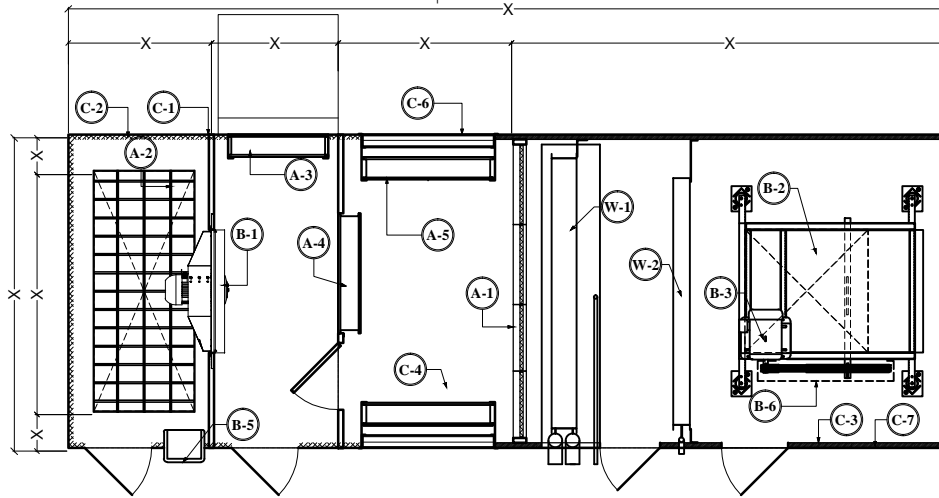




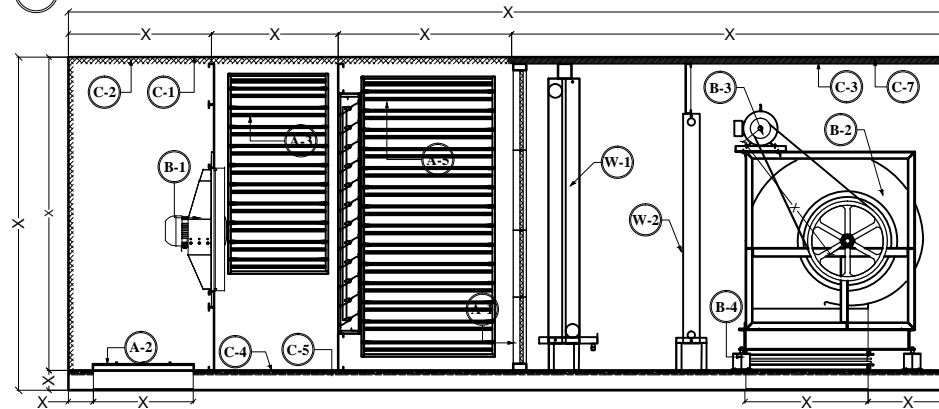
SZXX-XX-XX-X/X

MODEL DESCRIPTION:

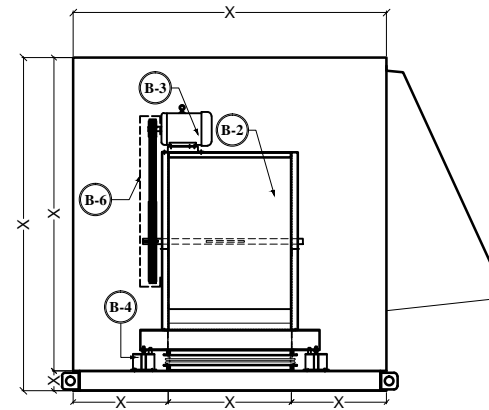
- SMART ZONE SERIES
- AIR DISCHARGE LOCATION
- CHILL WATER COIL AREA (FT²)
- HOT WATER COIL FACE AREA (FT²)
- OUTSIDE AIR / RETURN AIR



BT-1 INTERNAL PLAN VIEW



BT-2 FRONT SECTION - MOTORS AND BLOWER



BT-3 SIDE SECTION - THROUGH UNIT

| SECT. | ITEM | QTY. | DESCRIPTION |
|-----------------------|------|--------|--|
| WATER COIL SECTION | W-1 | 1 | CHILL WATER COIL |
| | W-2 | 1 | HOT WATER COIL |
| BLOWER | B-1 | 1 | FAN MODEL |
| | B-2 | 1 | SUPPLY AIR FAN |
| | B-3 | 1 | SUPPLY AIR FAN PREMIUM EFFICIENCY MOTOR |
| | B-4 | 1 SETS | SEISMIC VIBRATION ISOLATORS |
| | B-5 | 1 | NEMA 3R ENCLOSURE FOR MOTOR TERMINAL STRIP |
| | B-6 | 1 | BELT GUARD |
| CASING | C-1 | 1 | FAN CASING: GALVANNEAL A60 SHEET METAL, GAUGE 18 |
| | C-2 | 1 | RETURN DAMPER SECTION WALL AND ROOF INSULATION MANVILLE LINACOUSTIC RC OR EQUAL INSULATION: 1 1/2" INCH LINER 8-16 |
| | C-3 | 1 | DOUBLE WALL LINER: GALVANIZED G-90 SHEET METAL, GAUGE 22, FAN SECTION |
| | C-4 | 1 | FLOOR: GALVANIZED SHEET METAL, GAUGE 18 |
| | C-5 | 1 | FLOOR INSULATION: R-8 POLY ARMOR |
| | C-6 | 2 | 4" DEEP LOOVSERS: GALVANNEAL A 60 SHEET METAL, GAUGE 20 |
| | C-7 | 1 | COILS AND FAN SECTION INSULATION MANVILLE MICROROUTE XS OR EQUAL |
| AIR QUALITY & CONTROL | A-1 | 1 | 4" DEEP DISPOSABLE FILTERS |
| | A-2 | 1 | RETURN AIR OPENING FOR 20,000 CFM WITH GRATING FOR PERSONEL PROTECTION |
| | A-3 | 1 | EXHAUST DAMPER WITH HOOD CESCO MODEL AGP SIZE 30" X 60" WITH 24V DAMPER MOTOR |
| | A-4 | 1 | RETURN AIR DAMPER CESCO MODEL AGP SIZE 36" X 72" WITH 24V DAMPER MOTOR |
| | A-5 | 2 | OUTSIDE AIR DAMPER CESCO MODEL AGP SIZE 39" X 84" EACH WITH 24V DAMPER MOTORS |